

High IPLV and SEER design
Screw compressor dedicated to
R134a, R513A, R450A
R1234ze and R1234yf

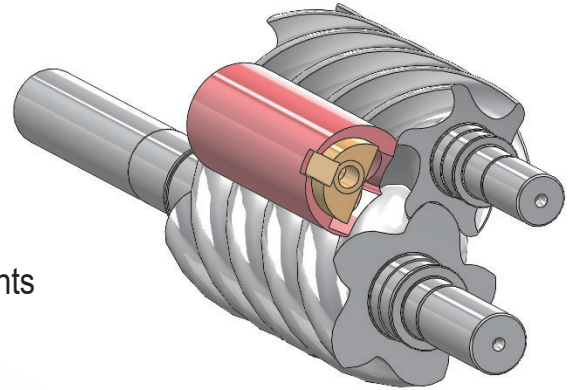
Variable Volume Ratio RE-VI Series VFD Screw Compressor



Highlights of RE-VI Compressor Features

Variable Compression Ratio

- Remarkable dual slide valve mechanism
- Designed for water-cooled and air-cooled chillers
- Volume ratio variable and exactly match working lift
- No loss of work due to over- or under-compression
- Exceptional partial load efficiency, great energy saving



VFD Capacity Control

- Near-zero inrush current to motor and electronic components
- Quickly respond to cooling load
- Precisely control of chilled liquid temperature
- Varying motor speed, use the power that necessary
- Less starting torque, increase electric motor life cycle

Advanced Screw Rotor Profile

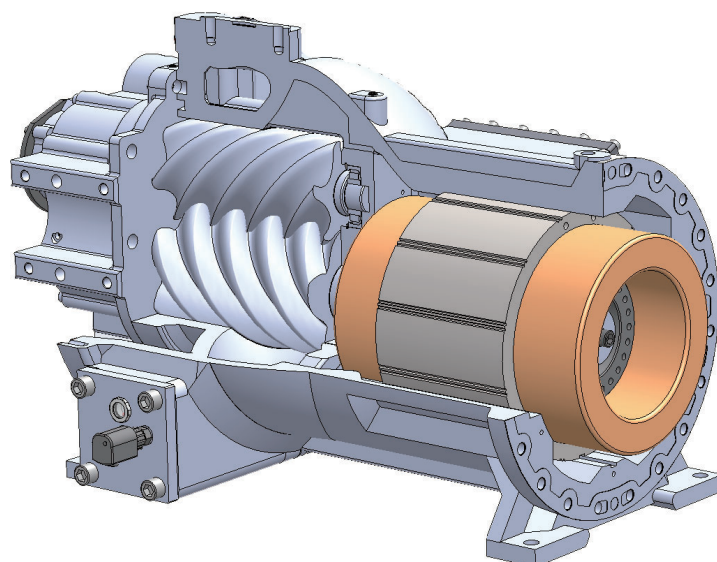
- Large displacement with short sealing line
- Compact in size with hyper volumetric efficiency
- Small torque transmission and low frictional loss

Low Oil Carry-over Separator

- Finest 3-step oil separation with minimum pressure drop
- Low carry-over, great heat transfer efficiency
- Simple but highly reliable oil separation

Quiet Operation, Low Vibration, Long Compressor Life

- Dedicated oil circuit to cool and lubricate bearings and rotors
- Sturdy compressor mounting and compression chamber
- Comprehensive protection devices

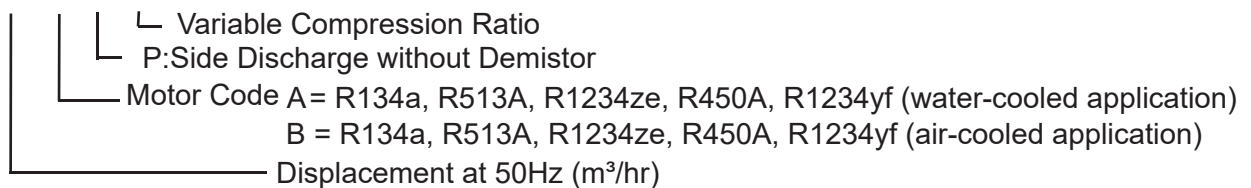


Compressor Protection & Devices

- Motor winding temperature protection
- Discharge temperature protection
- INT69HBY protector module
- Optical oil level switch
- Oil filter with replaceable cartridge
- Insulated oil heater
- Internal pressure relief valve
- Non-return valve and service stop valve
- Nitrogen protective charge
- IP54 Terminal box
- Minimum pressure valve (optional)
- Pressure differential switch (optional)
- Oil flow switch (optional)
- Liquid injection to motor expansion valve (optional)

Compressor Nomenclature

RE - xxx x x VI

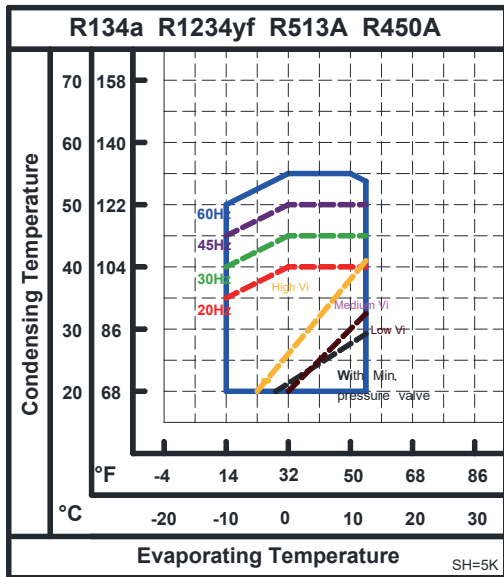


Technical Data

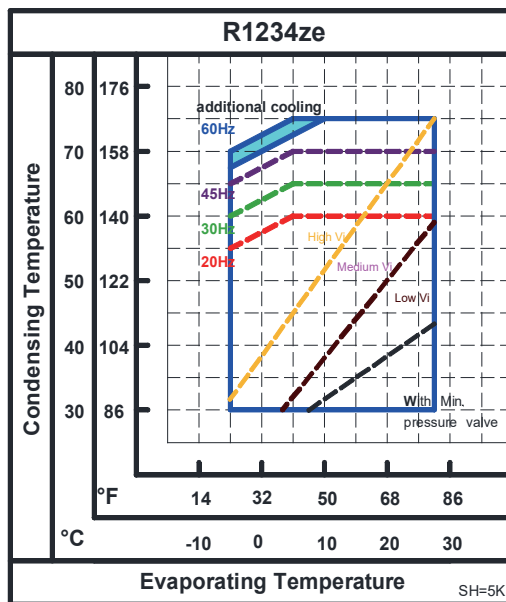
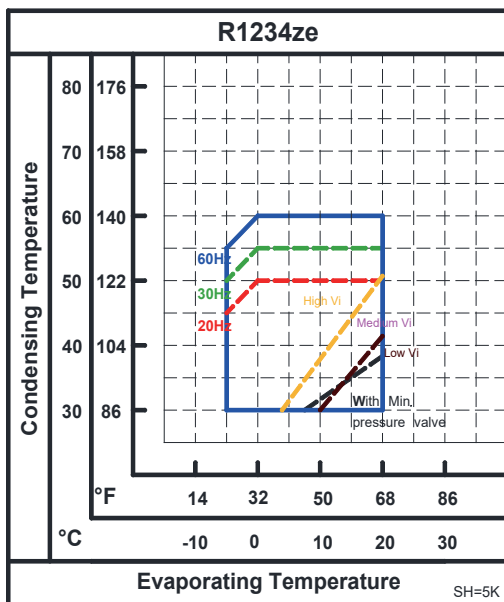
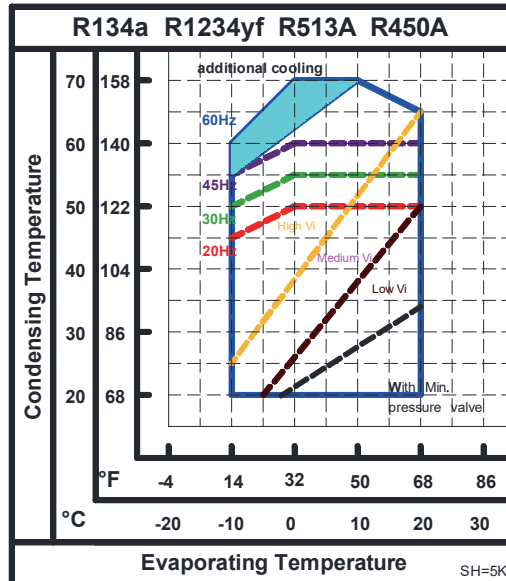
MODEL	COMPRESSOR			MOTOR			LUBRICANT CHARGE	WEIGHT	
	Displacement	Speed Range	Vi Control	Nominal hp		Motor Starter			Voltage (V)
	m ³ /hr	Hz		A	B				
RE-300A(P)VI / B(P)VI	369	20~70	Low Medium High	70	97	VFD	380 ~ 480	16	480
RE-340A(P)VI / B(P)VI	423			80	108			16	550
RE-380A(P)VI / B(P)VI	471			90	122			16	570
RE-420A(P)VI / B(P)VI	501			97	146			16	600
RE-480A(P)VI / B(P)VI	579			107	166			17	630
RE-550A(P)VI / B(P)VI	666			131	185			19	670
RE-620A(P)VI / B(P)VI	752			146	215			23	870
RE-710A(P)VI / B(P)VI	857			166	233			26	920
RE-820A(P)VI / B(P)VI	987			196	257			28	1050
RE-920A(P)VI / B(P)VI	1112			215	298			28	1135
RE-1050A(P)VI / B(P)VI	1254			241	322			40	1480
RE-1150A(P)VI / B(P)VI	1374			264	354			40	1500

Application Limits

RE-AVI



RE-BVI



To apply the refrigerant not listed above, please contact Hanbell for application guide.



SHANGHAI HANBELL PRECISE MACHINERY CO., LTD

No.8289, Tingfeng RD, Fengjing Area, JinShan District, Shanghai
 TEL:+86-21-57350280 FAX:+86-21-57352004
<http://www.shahanbell.com.cn>
 E-mail:sales@shahanbell.com

HERMES VIET NAM MACHINERY COMPANY LTD

Block 28-30-32, 11 Street, Tan Duc Industrial Park, Commune, Duc Hoa District, Long An Province, Viet Nam.
 TEL: +84-72-3769688 FAX: +84-72-3769690

HANBELL KOREA

555-93, Baekseok-dong, Seobuk-gu, Cheonan-si, Chungcheongnam-do, Korea
 TEL:+82-41-562-5888 FAX:+82-41-562-5887
<http://hanbell.co.kr>
 E-mail:sales1@hanbell.com

HANBELL PRECISE MACHINERY CO., LTD.

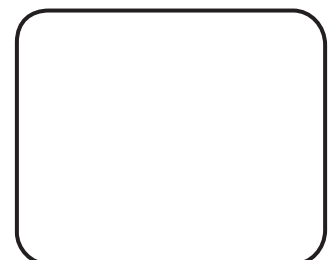
NO.5 Kongsan Road, Kuan-Yin Industrial Park, Kuan-Yin District, Tao-Yuan City, Taiwan, R.O.C.
 TEL:+886-3-4836215
 FAX:+886-3-4836223
<http://www.hanbell.com>
 E-mail:sales1@hanbell.com

HANBELL EUROPE

Via dei Campazzi 25 / 27, 21040 Gerenzano (VA), Italia
 TEL:+39-02-962-80188 FAX:+39-02-962-48011
<http://www.comer-srl.com>
 E-mail:sales.it@comer-srl.com

HANBELL MIDDLE EAST

FZJOA220, Jabel Ali, Dubai, UAE
 E-mail:sales1@hanbell.com



HBCE-REVI-22-B(500)