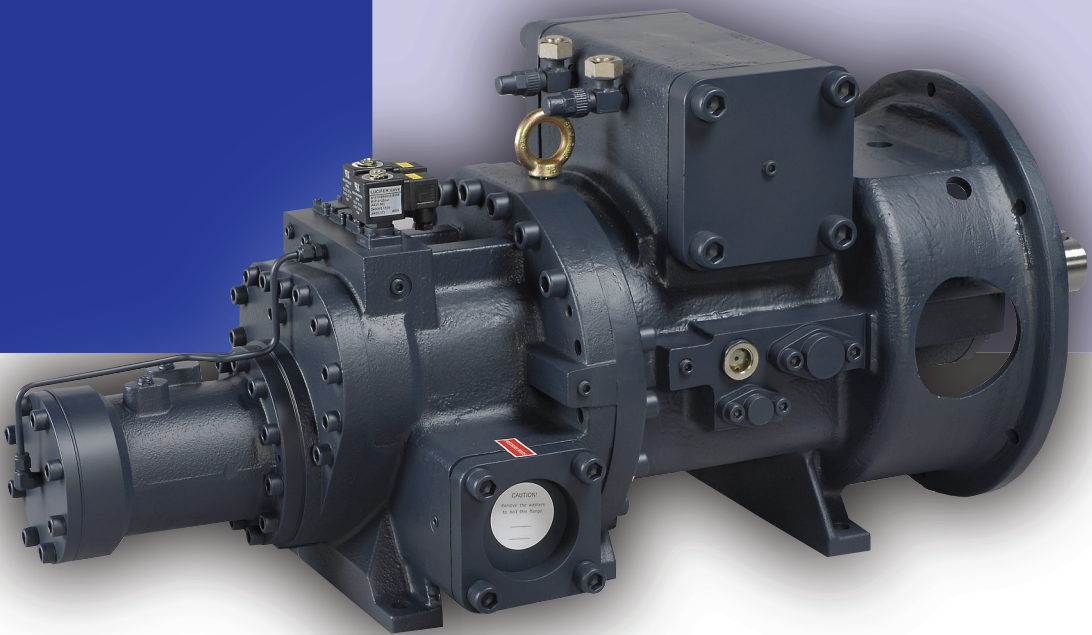


State-of-the-art technology
compressor designed for
R717 in low temp. application

Open-type Model RG Series Screw Compressor



Highlights of RG Series Open-type Compressor

Floating Economizer Port

- Additional cooling capacity and higher energy efficiency
- Effective operation at full load as well as at partial load
- Reduce the discharge temp. and cooling the lubricant



High-efficiency Screw Rotor Profile

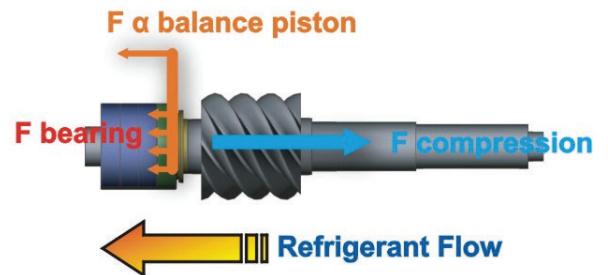
- 5-to-6 rotor profile patented in Taiwan, US, UK, and China
- Suitable for refrigeration applications with R717
- High volumetric efficiency and minimum clearance

Dual Capacity Control

- 4-step or Stepless capacity modulation
- Simple control by solenoid valves
- Quick reaction on loading and unloading
- Suitable for variable frequency drive (VFD)

Durable Bearing Structure

- Rigid thrust ball bearings and roller bearings
- α balance piston against axial thrust
- PEEK® bearings of high quality
- Heavy-duty design



Wide Vi Selection

- Variable volume ratio (V_i) avoids over- or under-compression
- Adjustable compression volume ratio
- Suitable for refrigeration, air conditioning, and heat pump applications

Oil Management

- Oil is supplied by pressure-differential and recommend oil pump for pre-lube and post-lube
- Simple oil circuit for bearing lubrication and screw rotor sealing
- Oil cooling and lubrication to mechanical seal

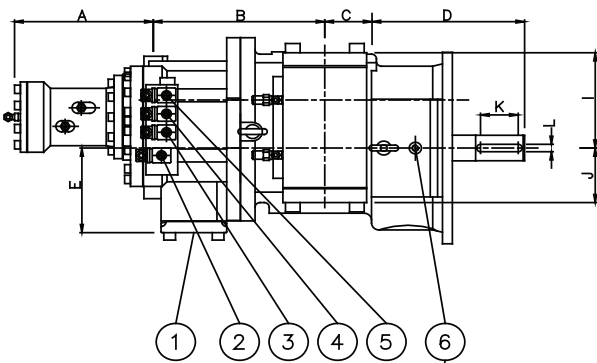
Other Features

- Flanged-on motor mounting
- Multiple spring type mechanical seal which balances loading of seal surface
- Oil injection to chamber for additional cooling
- Discharge temperature thermistor
- Capacity indicator monitors comp. load
- Low noise level and minimum vibration
- Few moving parts and easy maintenance and overhaul
- Compact in size and simple piping layout

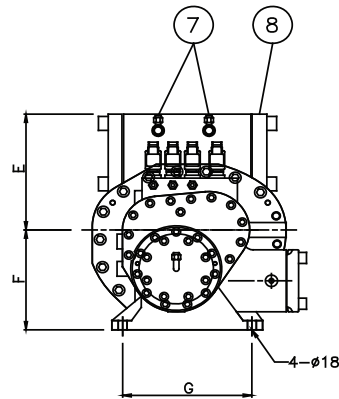
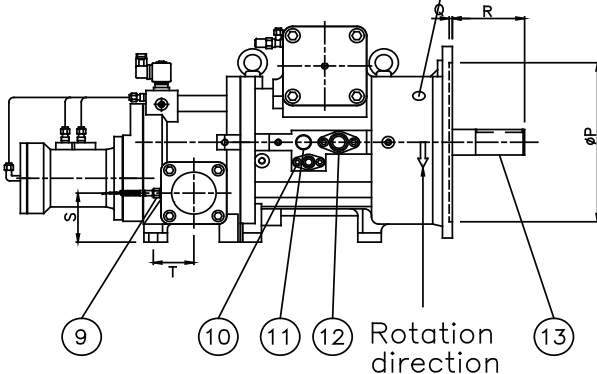
Technical Data

Model		RG-200	RG-410	RG-620	RG-830	RG-1270
Displacement at 50Hz	m ³ /hr	190	402	619	816	1268
Speed, max	rpm	4500				3600
Speed, min	rpm	1500				
Range of capacity control	-	25,50,75,100% or 25~100%				
Vi-adjustment range	-	2.6~5.1				2.6~5.6
Vibration level	mm/s	2				2.5
Sound pressure level	dB(A)	86	88	89	90	93
Weight	kg	232	320	475	513	1166

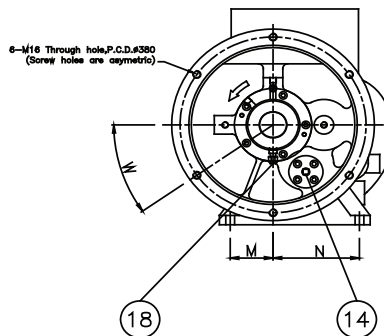
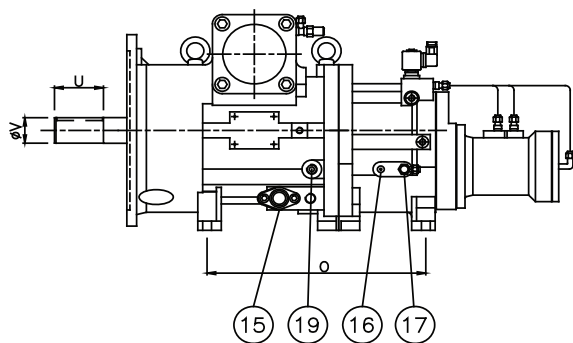
RG-200~830 Outline



No.	Name	Note	No.	Name	Note
1	Discharge flange		11	Oil sight glass	
2	Solenoid valve	Stepless,NC	12	Oil inlet	1 1/8"ODF
3	Solenoid valve	25%,NC	13	Compressor Shaft	∅45~∅60 (*1), m5
4	Solenoid valve	50%,NC	14	Vi adjustment	2.6~5.1
5	Solenoid valve	75%,NC	15	Economizer port	7/8" & 1 1/8"ODF (*2)
6	Plug		16	Plug	
7	Angle valve(Low side)	1/4"F	17	Angle valve(High side)	1/4"F
8	Suction flange		18	Oil drain	
9	Discharge temp. sensor	PTC	19	Capacity indicator plug	1/2"NPT
10	Compression chamber liquid/oil injection port	5/8"ODF			



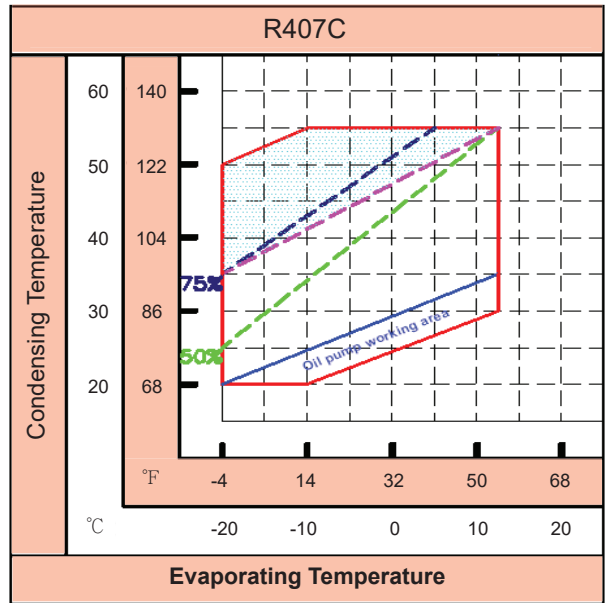
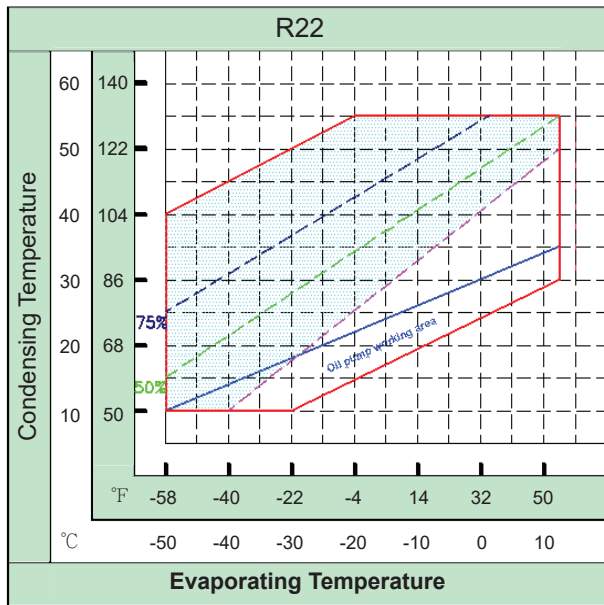
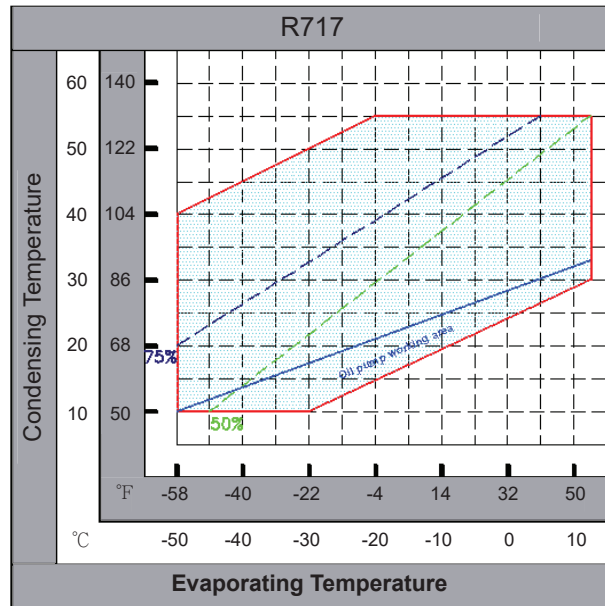
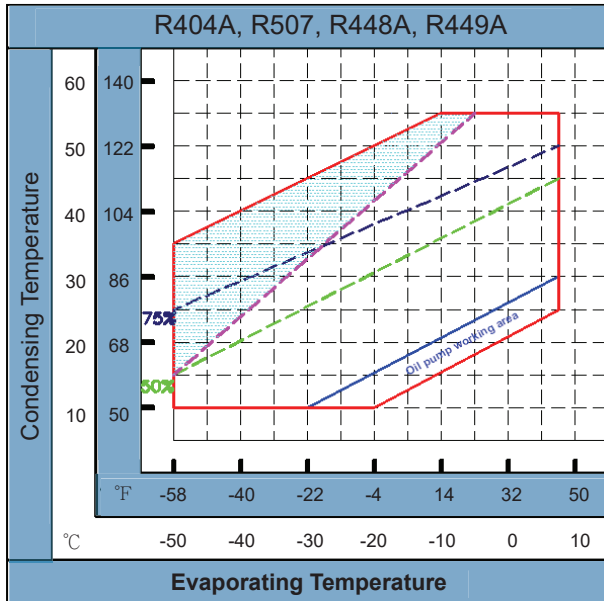
*1	RG-200:∅45
	RG-410:∅55
	RG-620:∅60
	RG-830:∅60
*2	RG-200:7/8"
	RG-410~830:1 1/8"



	A	B	C	D	E	F	G	H	I	J	K	L
RG-200	217.5	282	89	272.8	223	199	264	170.5	154	76	50	12
RG-410	283.5	350.5	96.5	311.7	250.5	216	264	183	206	118	77	16
RG-620	316	385	153	292	318	250	350	211	231.5	121.5	77	16
RG-830	316	438	158	321.4	318	250	350	213	233.5	119.5	77	16

	M	N	O	P	Q	R	S	T	U	V	W
RG-200	93	171	371	∅294	6.4	146.8	101	79	100	∅45	40
RG-410	87.5	176.5	447	∅344	6.4	147.7	106	83	100	∅45	35
RG-620	118	121	537	∅380	6.4	150	116	103	100	∅60	35
RG-830	118	232	596	∅380	6.4	150.4	123.5	104	100	∅60	35

Application Limits



SHANGHAI HANBELL PRECISE MACHINERY CO., LTD

No.8289, Tingfeng RD, Fengjing Area, JinShan District, Shanghai
 TEL:+86-21-57350280 FAX:+86-21-57352004
<http://www.shahanbell.com.cn>
 E-mail:sales@shahanbell.com

HERMES VIET NAM MACHINERY COMPANY LTD

Block 28-30-32, 11 Street, Tan Duc Industrial Park, Commune, Duc Hoa District, Long An Province, Viet Nam.
 TEL: +84-72-3769688 FAX: +84-72-3769690

HANBELL KOREA

555-93, Baekseok-dong, Seobuk-gu, Cheonan-si, Chungcheongnam-do, Korea
 TEL:+82-41-562-5888 FAX:+82-41-562-5887
<http://hanbell.co.kr>
 E-mail:sales1@hanbell.com

HANBELL PRECISE MACHINERY CO., LTD.

NO.5 Kongsan Road, Kuan-Yin Industrial Park, Kuan-Yin District, Tao-Yuan City, Taiwan, R.O.C.
 TEL:+886-3-4836215
 FAX:+886-3-4836223
<http://www.hanbell.com>
 E-mail:sales1@hanbell.com

HANBELL EUROPE

Via dei Campazzi 25 / 27, 21040 Gerenzano (VA), Italia
 TEL:+39-02-962-80188 FAX:+39-02-962-48011
<http://www.comer-srl.com>
 E-mail:sales.it@comer-srl.com

HANBELL MIDDLE EAST

FZJOA220, Jabel Ali, Dubai, UAE
 E-mail:sales1@hanbell.com



HBCE-RG-20-B(500)